

Hills Home Hub®

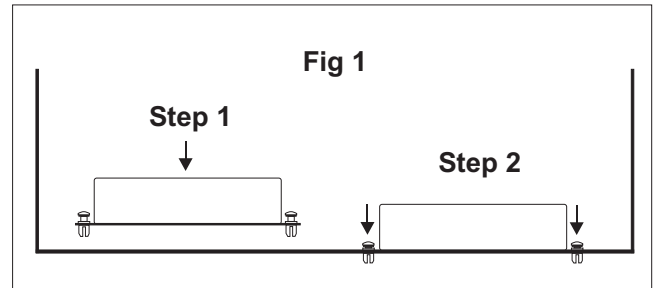
HAS-206 ACTIVE SPLITTER & HVM-101M MODULATOR

Description:

This Hills Home Hub® HAS-206 Active video Splitter Module and HVM-101M Single Channel Mono Modulator are used as part of the home video distribution infrastructure. The HAS-206 is required to route the antenna signal, or Cable TV to up to six locations throughout the home. The HVM-101M is required to convert the video OUT signal from your VCR or DVD or Pay TV or Security Camera to a modulated TV channel for viewing on a standard UHF television set.

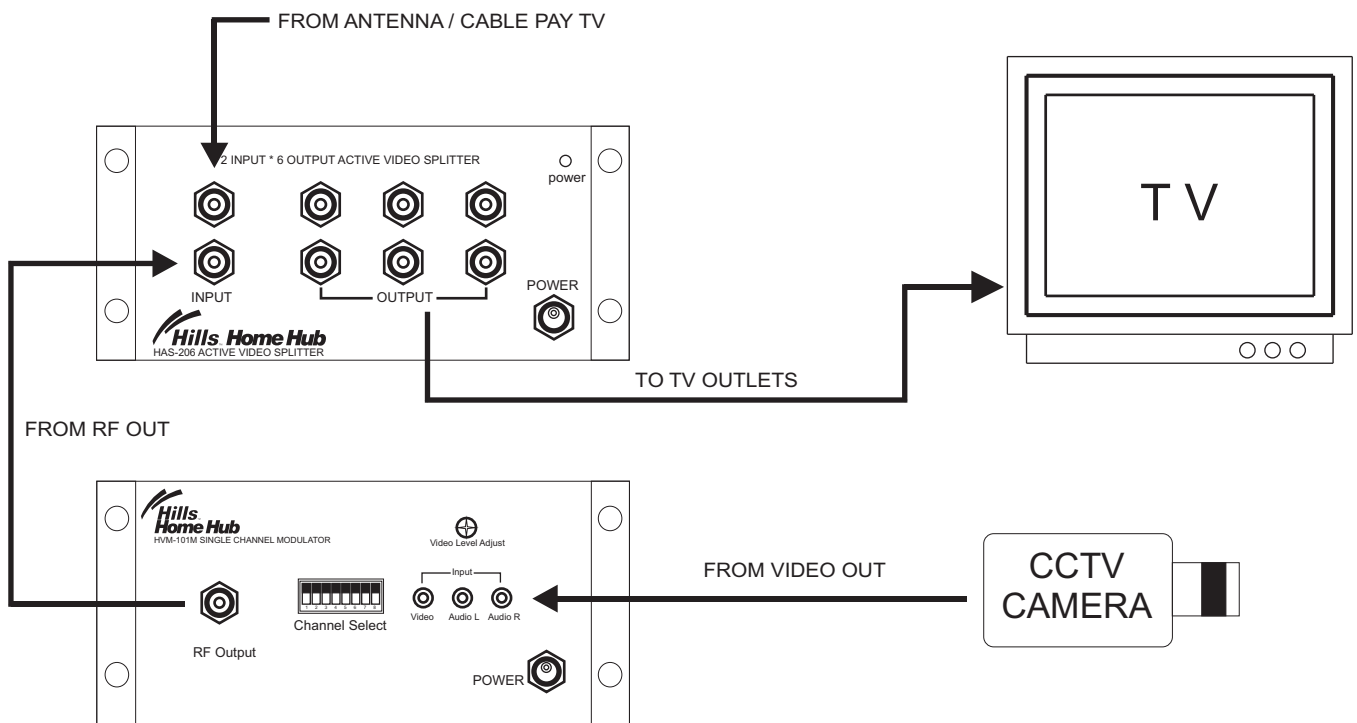
Installation:

To install the modules, simply insert tabs to the cap located on the rail of the enclosure. Press the fastener to lock the module at the desired position. Refer to Fig 1.



Refer to Fig 2 for wiring diagram and Table 1 & 2 for modulator dip-switch channel selection.

Fig.2



Specification:

HAS-206 Active Video Splitter

Frequency Range: 40MHZ to 1000MHZ
Max Input Level: 85dBuV
Max RF Output Level: 100dBuV
Output Gain: 7dB
RF Return Loss: >=10dB
Impedance: 75Ω
Power: 12VDC @ 500mA
Dimensions: 165mmW x 72.5mmHx25mmD

HVM-101M Single Channel Modulator

Frequency Range: 470MHZ to 825MHZ
RF Output Level: >=68dBuV
Impedance: 75Ω
RF Return Loss: >=10dB
Audio Modulation: Mono
Power: 12VDC @ 500mA
Dimensions: 165mmW x 76mmHx59mmD

Table 1 - Dip-Switch Channel Selection Table.

Set Dip-Switches to desired Channel / Frequency. Note - Setting DS 2 to OFF will result in the transmission of the TEST signal on the selected Channel / Frequency.

Aust Channel	Video Frequency	Audio Frequency	Leave Off DS1	Test	Channel / Frequency Selection						
				DS 2	DS 3	DS 4	DS 5	DS 6	DS 7	DS 8	
21	478.25	483.75	OFF	ON	OFF	OFF	OFF	OFF	OFF	OFF	OFF
22	485.25	490.75	OFF	ON	OFF	OFF	OFF	OFF	OFF	OFF	ON
23	492.25	497.75	OFF	ON	OFF	OFF	OFF	OFF	OFF	ON	OFF
24	499.25	504.75	OFF	ON	OFF	OFF	OFF	OFF	OFF	ON	ON
25	506.25	511.75	OFF	ON	OFF	OFF	OFF	OFF	ON	OFF	OFF
26	513.25	518.75	OFF	ON	OFF	OFF	OFF	OFF	ON	OFF	ON
27	520.25	525.75	OFF	ON	OFF	OFF	OFF	OFF	ON	ON	OFF
28	527.25	532.75	OFF	ON	OFF	OFF	OFF	OFF	ON	ON	ON
29	534.25	539.75	OFF	ON	OFF	OFF	OFF	ON	OFF	OFF	OFF
30	541.25	546.75	OFF	ON	OFF	OFF	OFF	ON	OFF	OFF	ON
31	548.25	553.75	OFF	ON	OFF	OFF	OFF	ON	OFF	ON	OFF
32	555.25	560.75	OFF	ON	OFF	OFF	OFF	ON	OFF	ON	ON
33	562.25	567.75	OFF	ON	OFF	OFF	OFF	ON	ON	OFF	OFF
34	569.25	574.75	OFF	ON	OFF	OFF	OFF	ON	ON	OFF	ON
35	576.25	581.75	OFF	ON	OFF	OFF	OFF	ON	ON	ON	OFF
36	583.25	588.75	OFF	ON	OFF	OFF	OFF	ON	ON	ON	ON
37	590.25	595.75	OFF	ON	OFF	OFF	ON	OFF	OFF	OFF	OFF
38	597.25	602.75	OFF	ON	OFF	OFF	ON	OFF	OFF	OFF	ON
39	604.25	609.75	OFF	ON	OFF	OFF	ON	OFF	OFF	ON	OFF
40	611.25	616.75	OFF	ON	OFF	OFF	ON	OFF	OFF	ON	ON
41	618.25	623.75	OFF	ON	OFF	OFF	ON	OFF	ON	OFF	OFF
42	625.25	630.75	OFF	ON	OFF	OFF	ON	OFF	ON	OFF	ON
43	632.25	637.75	OFF	ON	OFF	OFF	ON	OFF	ON	ON	OFF
44	639.25	644.75	OFF	ON	OFF	OFF	ON	OFF	ON	ON	ON
45	646.25	651.75	OFF	ON	OFF	OFF	ON	ON	OFF	OFF	OFF
46	653.25	658.75	OFF	ON	OFF	OFF	ON	ON	OFF	OFF	ON
47	660.25	665.75	OFF	ON	OFF	OFF	ON	ON	OFF	ON	OFF
48	667.25	672.75	OFF	ON	OFF	OFF	ON	ON	OFF	ON	ON
49	674.25	679.75	OFF	ON	OFF	OFF	ON	ON	ON	OFF	OFF
50	681.25	686.75	OFF	ON	OFF	OFF	ON	ON	ON	OFF	ON
51	688.25	693.75	OFF	ON	OFF	OFF	ON	ON	ON	ON	OFF
52	695.25	700.75	OFF	ON	OFF	OFF	ON	ON	ON	ON	ON
53	702.25	707.75	OFF	ON	ON	OFF	OFF	OFF	OFF	OFF	OFF
54	709.25	714.75	OFF	ON	ON	ON	OFF	OFF	OFF	OFF	ON
55	716.25	721.75	OFF	ON	ON	ON	OFF	OFF	OFF	ON	OFF
56	723.25	728.75	OFF	ON	ON	ON	OFF	OFF	OFF	ON	ON
57	730.25	735.75	OFF	ON	ON	ON	OFF	OFF	ON	OFF	OFF
58	737.25	742.75	OFF	ON	ON	ON	OFF	OFF	ON	OFF	ON
59	744.25	749.75	OFF	ON	ON	ON	OFF	OFF	ON	ON	OFF
60	751.25	756.75	OFF	ON	ON	ON	OFF	OFF	ON	ON	ON
61	758.25	763.75	OFF	ON	ON	ON	OFF	ON	OFF	OFF	OFF
62	765.25	770.75	OFF	ON	ON	ON	OFF	ON	OFF	OFF	ON
63	772.25	777.75	OFF	ON	ON	ON	OFF	ON	OFF	ON	OFF
64	779.25	784.75	OFF	ON	ON	ON	OFF	ON	OFF	ON	ON
65	786.25	791.75	OFF	ON	ON	ON	OFF	ON	ON	OFF	OFF
66	793.25	798.75	OFF	ON	ON	ON	OFF	ON	ON	OFF	ON
67	800.25	805.75	OFF	ON	ON	ON	OFF	ON	ON	ON	OFF
68	807.25	812.75	OFF	ON	ON	ON	OFF	ON	ON	ON	ON
69	814.25	819.75	OFF	ON	ON	ON	ON	OFF	OFF	OFF	OFF

Table 2 - New Zealand Dip-Switch Channel Section Table.

Set Dip-Switches to desired Channel/Frequency. Note - Setting DS 2 to OFF will result in the transmission of the TEST signal on the selected Channel/Frequency.

NZ Channel	Video Frequency	Audio Frequency	Leave ON DS1	Test DS2	Channel/Frequency Selection					
					DS3	DS4	DS5	DS6	DS7	DS8
21	471.25	476.75	ON	ON	OFF	OFF	OFF	OFF	OFF	OFF
22	479.25	484.75	ON	ON	OFF	OFF	OFF	OFF	OFF	ON
23	487.25	492.75	ON	ON	OFF	OFF	OFF	OFF	ON	OFF
24	495.25	500.75	ON	ON	OFF	OFF	OFF	OFF	ON	ON
25	503.25	508.75	ON	ON	OFF	OFF	OFF	ON	OFF	OFF
26	511.25	516.75	ON	ON	OFF	OFF	OFF	ON	OFF	ON
27	519.25	524.75	ON	ON	OFF	OFF	OFF	ON	ON	OFF
28	527.25	532.75	ON	ON	OFF	OFF	OFF	ON	ON	ON
29	535.25	540.75	ON	ON	OFF	OFF	ON	OFF	OFF	OFF
30	543.25	548.75	ON	ON	OFF	OFF	ON	OFF	OFF	ON
31	551.25	556.75	ON	ON	OFF	OFF	ON	OFF	ON	OFF
32	559.25	564.75	ON	ON	OFF	OFF	ON	OFF	ON	ON
33	567.25	572.75	ON	ON	OFF	OFF	ON	ON	OFF	OFF
34	575.25	580.75	ON	ON	OFF	OFF	ON	ON	OFF	ON
35	583.25	588.75	ON	ON	OFF	OFF	ON	ON	ON	OFF
36	591.25	596.75	ON	ON	OFF	OFF	ON	ON	ON	ON
37	599.25	604.75	ON	ON	OFF	ON	OFF	OFF	OFF	OFF
38	607.25	612.75	ON	ON	OFF	ON	OFF	OFF	OFF	ON
39	615.25	620.75	ON	ON	OFF	ON	OFF	OFF	ON	OFF
40	623.25	628.75	ON	ON	OFF	ON	OFF	OFF	ON	ON
41	631.25	636.75	ON	ON	OFF	ON	OFF	ON	OFF	OFF
42	639.25	644.75	ON	ON	OFF	ON	OFF	ON	OFF	ON
43	347.25	652.75	ON	ON	OFF	ON	OFF	ON	ON	OFF
44	655.25	660.75	ON	ON	OFF	ON	OFF	ON	ON	ON
45	663.25	668.75	ON	ON	OFF	ON	ON	OFF	OFF	OFF
46	671.25	676.75	ON	ON	OFF	ON	ON	OFF	OFF	ON
47	679.25	684.75	ON	ON	OFF	ON	ON	OFF	ON	OFF
48	687.25	692.75	ON	ON	OFF	ON	ON	OFF	ON	ON
49	695.25	700.75	ON	ON	OFF	ON	ON	ON	OFF	OFF
50	703.25	708.75	ON	ON	OFF	ON	ON	ON	OFF	ON
51	711.25	716.75	ON	ON	OFF	ON	ON	ON	ON	OFF
52	719.25	724.75	ON	ON	OFF	ON	ON	ON	ON	ON
53	727.25	732.75	ON	ON	ON	OFF	OFF	OFF	OFF	OFF
54	735.25	740.75	ON	ON	ON	OFF	OFF	OFF	OFF	ON
55	743.25	748.75	ON	ON	ON	OFF	OFF	OFF	ON	OFF
56	751.25	756.75	ON	ON	ON	OFF	OFF	OFF	ON	ON
57	759.25	764.75	ON	ON	ON	OFF	OFF	ON	OFF	OFF
58	767.25	772.75	ON	ON	ON	OFF	OFF	ON	OFF	ON
59	775.25	780.75	ON	ON	ON	OFF	OFF	ON	ON	OFF
60	783.25	788.75	ON	ON	ON	OFF	OFF	ON	ON	ON
61	791.25	796.75	ON	ON	ON	OFF	ON	OFF	OFF	OFF
62	799.25	804.75	ON	ON	ON	OFF	ON	OFF	OFF	ON
63	807.25	812.75	ON	ON	ON	OFF	ON	OFF	ON	OFF
64	815.25	820.75	ON	ON	ON	OFF	ON	OFF	ON	ON
65	823.25	828.75	ON	ON	ON	OFF	ON	ON	OFF	OFF
66	831.25	836.75	ON	ON	ON	OFF	ON	ON	OFF	ON
67	839.25	844.75	ON	ON	ON	OFF	ON	ON	ON	OFF
68	847.25	852.75	ON	ON	ON	OFF	ON	ON	ON	ON
69	855.25	860.75	ON	ON	ON	ON	OFF	OFF	OFF	OFF

